

NEWS

KUD 2021-17
19.08.2021



*Confidential -
for internal use only!*

B400R / RM / RH (7090.XX) Accessory kit for towing purposes

Dear Sir or Madam,

you can find information regarding the towing process of the Scrubmaster B400R in chapter 3.4.5. of the operation manual. To apply the method as suggested in the manual you will need an accessory kit with order number PN 01381500. This kit is now available in our spare parts shop. Please keep in mind to order this kit in time and also to offer this kit to you customers when necessary and required.

In the attachment you will find the instructions for the kit, which are also included in the kit itself of course. Please note that for the towing process you will also additionally need a normal, customary tow bar for cars up to 3.5 tons.

Friedhelm Fechtner

After Sales Service
Hako GmbH

Lars Albermann

After Sales Service
Hako GmbH



HAKO

Assembly manual

**Power Bank / Towing Device Conversion Kit
97501225 (PN 01381500)**

Foreword

This assembly manual may be used only in conjunction with the operating manual of the machine.

Safety instructions

Please observe the general safety regulations of the corresponding machine in the relevant operating manual.

Place the machine on a level surface and secure it with the parking brake.

Switch the machine off and pull out the key.

We would expressly advise you that no legal claims may be asserted based on the contents of this manual. In the case of necessary repair work, please make sure that only original spare parts are used. Only original spare parts guarantee constant and reliable operational readiness of your machine. We reserve the right to make changes in the interests of further technical development.

Valid as from: March 2021

Hako GmbH

23843 Bad Oldesloe, Germany

Hamburger Str. 209-239

Phone +49 4531 806-0

1 Power bank / Towing device

1.1 Parts list

- 1 1x power bank
- 2 1x adapter cable
- 3 1x M12 hex nut
- 4 1x eyebolt
- 5 1x bolt
- 6 1x right-hand towing coupling
- 7 2x M12x35 hex bolt
- 8 1x split pin

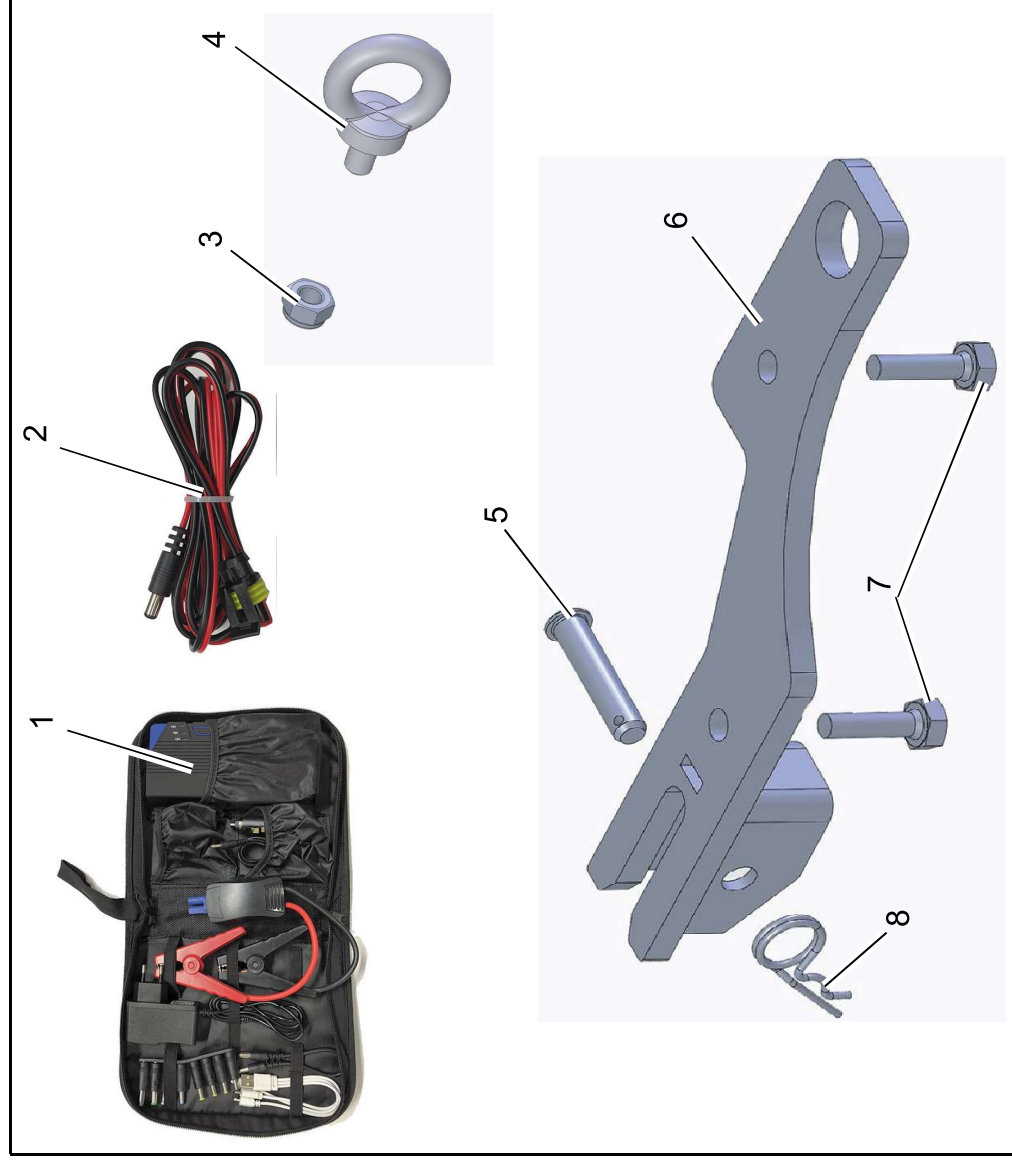


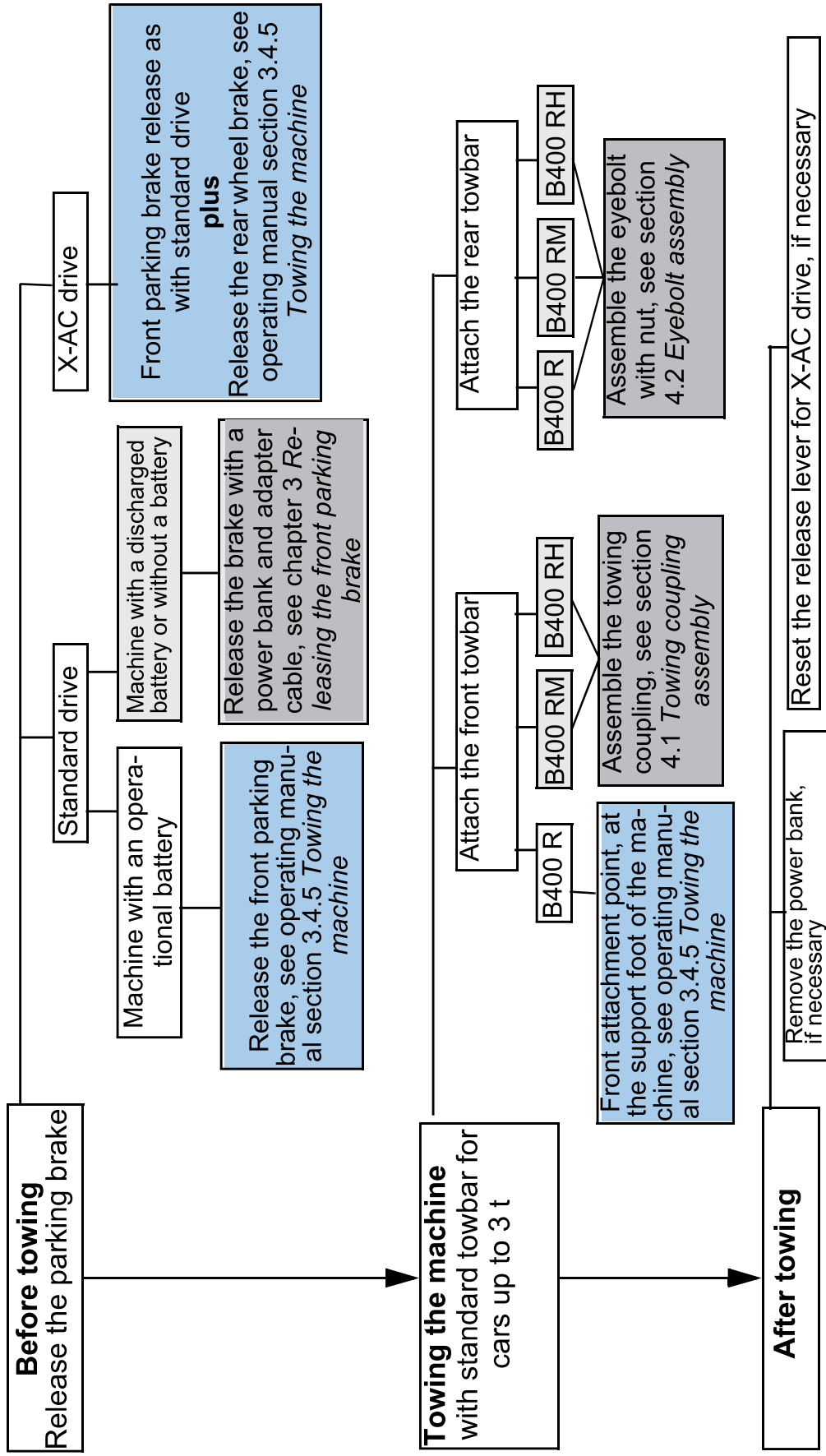
Fig. 1

Diagram

2 Diagram

Boxes with a grey background = description in this manual

Boxes with a blue background = description in the B400 operating manual



3 Releasing the front parking brake



Risk of accidents

After releasing the parking brake(s), the machine no longer has any braking effect! Only tow the machine with a towbar!

1. Loosen the bolts of the steering column cover and remove the cover.
2. Disconnect the top 2-pin plug connection of the travel drive (Fig. 2/1).
3. Connect the adapter cable to the power bank and the plug connection of the travel drive (Fig. 2/2).
4. Switch on the power bank (Fig. 2/3) and set it to 19 V. To do so, press the push button until the 19 V range is selected.

The parking brake is released audibly.



As long as the power bank is connected, the brake remains released.

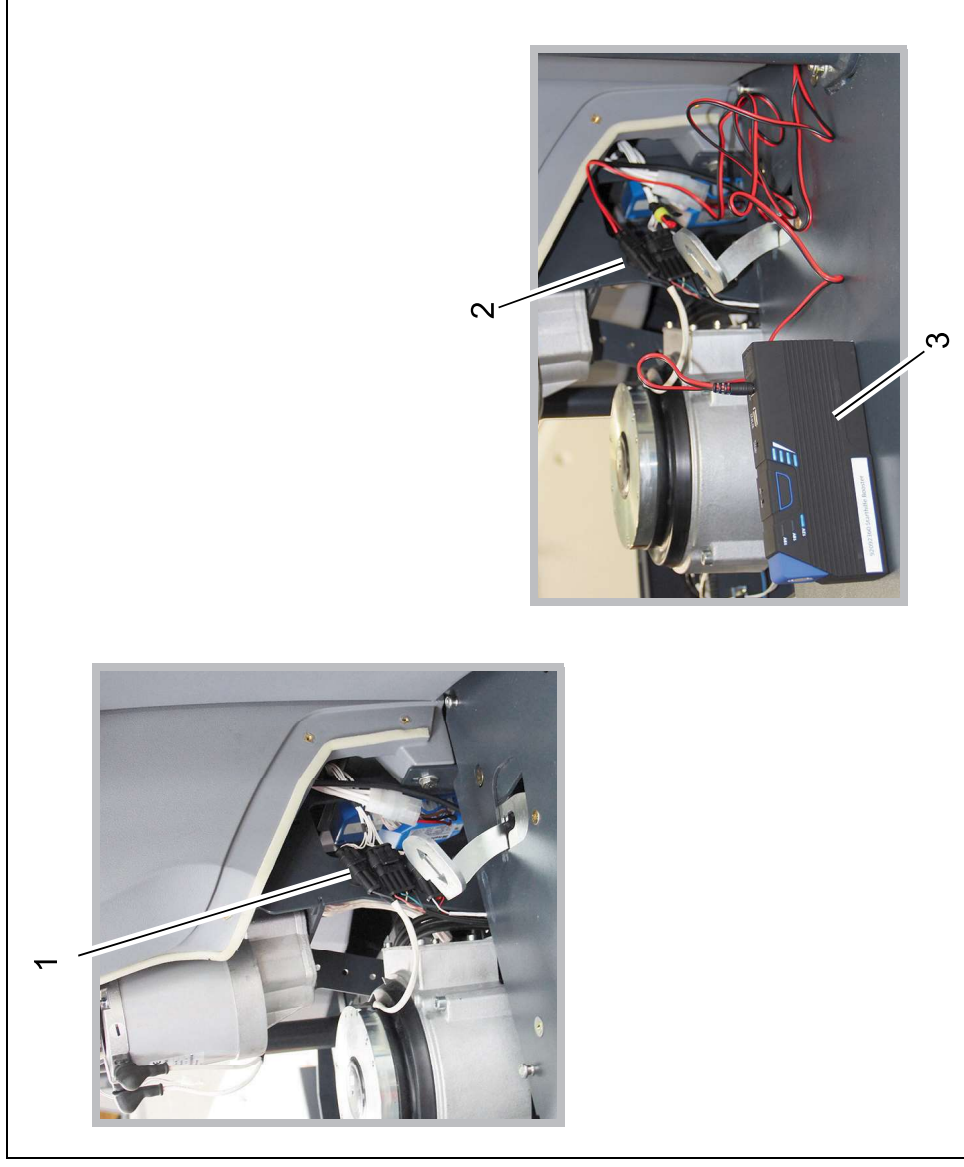


Fig. 2

4 Towing device assembly

4.1 Towing coupling assembly B400 RM/RH

To attach the towbar, the towing coupling must be assembled at the front on the right-hand side of the machine.

1. Slide the towing coupling (Fig. 3/1) over the tab (Fig. 3/2) underneath the bar according to the illustration.
2. Attach the towing coupling with both M12x35 hexagon head bolts (Fig. 3/3) and secure it with the bolt (Fig. 3/3) and the split pin (Fig. 3/4).

4.2 Eyebolt assembly

Insert the eyebolt (Fig. 3/5) at the rear on the right-hand side of the machine through the existing hole and secure it with the M12 nut.

4.3 Towbar

The machine can be towed with a standard towbar (Fig. 3/6) for cars up to 3 t.

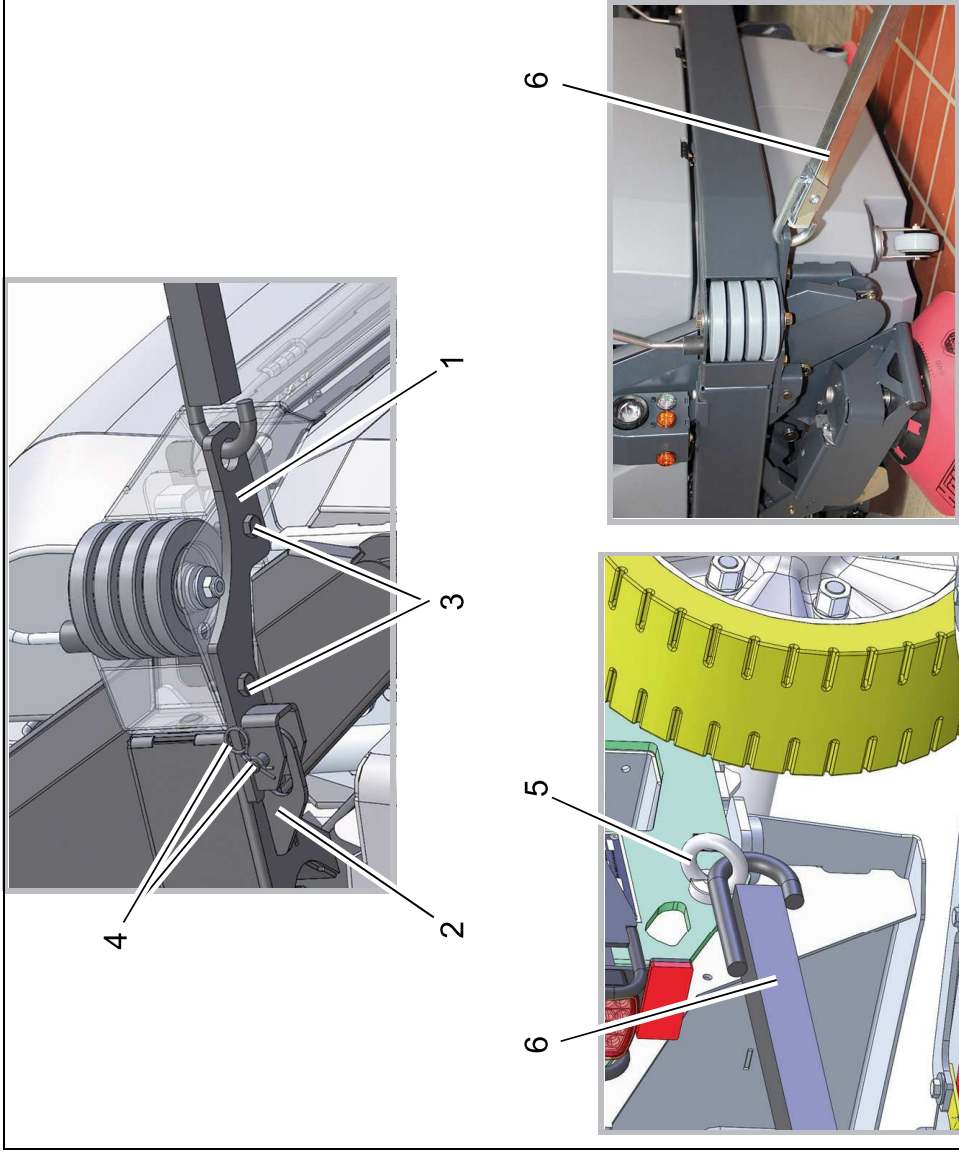


Fig. 3